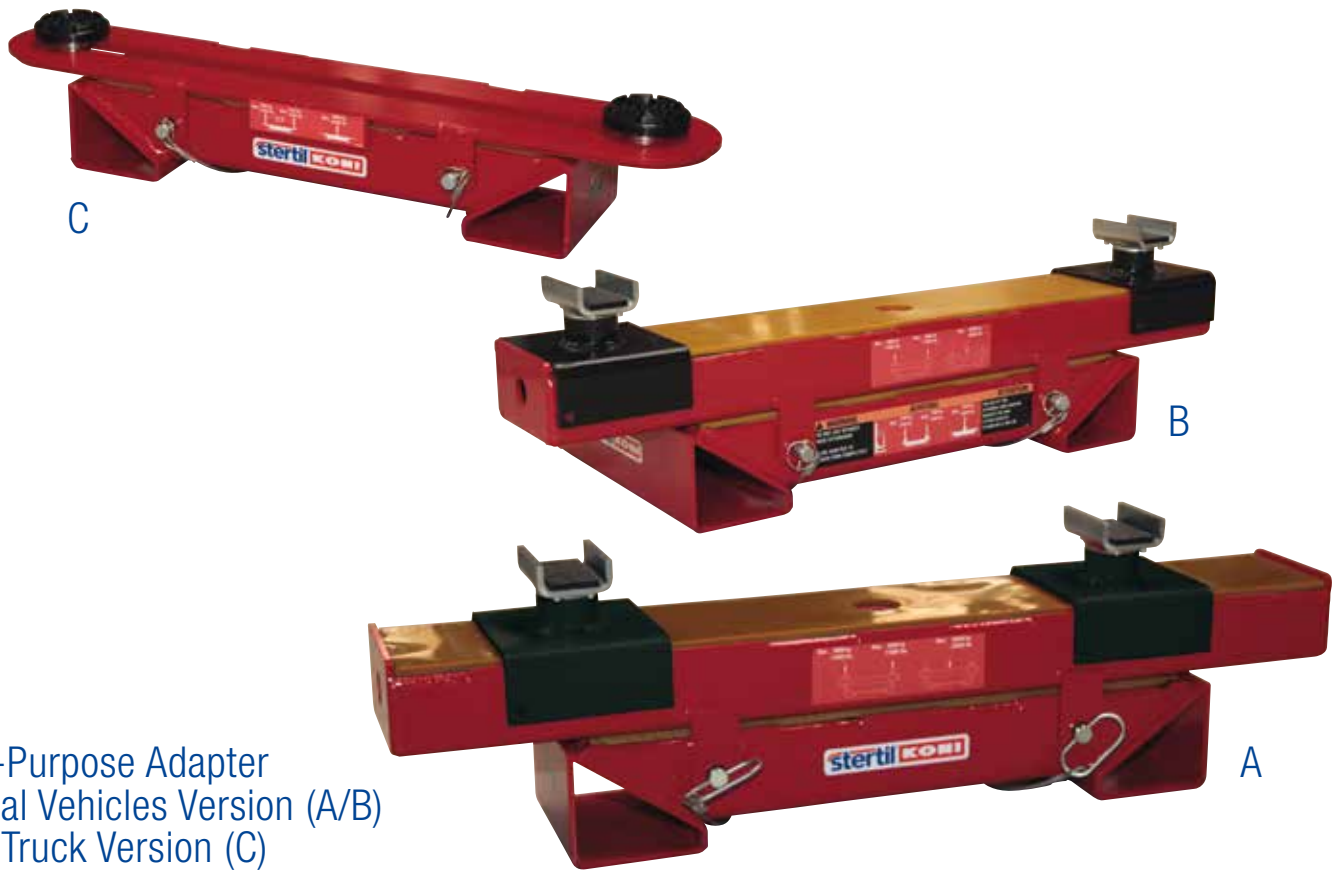


# SPECIAL VEHICLES VERSION (A/B) LIGHT TRUCK VERSION (C)



Multi-Purpose Adapter  
Special Vehicles Version (A/B)  
Light Truck Version (C)

- Suitable to use for lifting all kinds of vehicles with two mobile columns on the front and on the rear.
- Modular design, easy to adapt to various applications.
- Individual components can be used to create requirement specific solutions.
- A wide range of vertical height adjusters and contact adapters for various applications available.
- Version for extended reach under the vehicle is also available (B)<sup>1</sup>.

Special Vehicles Version (A/B)

- Extra wide upper beam for optimal reach.

Light Truck Version (C)

- Extremely low pick up height.
- Flat round rubber pick up adapters that can move sideways.

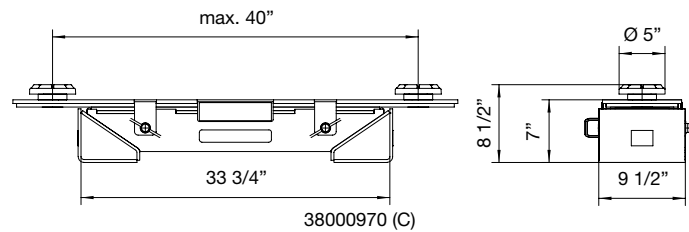
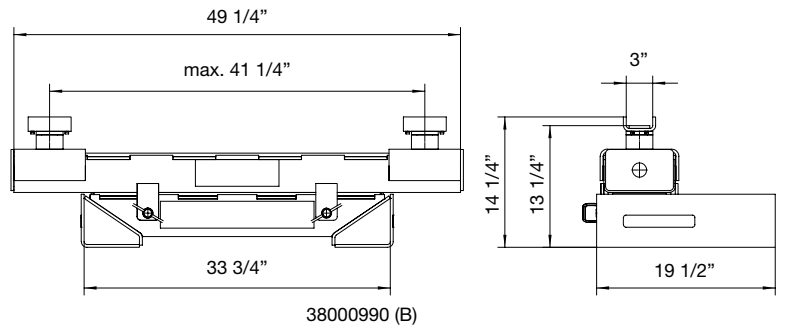
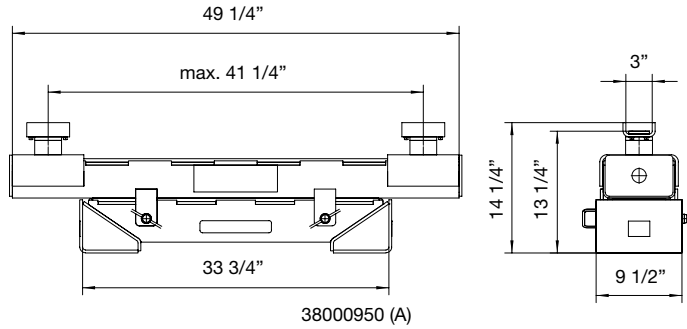
<sup>1</sup> requires extended baseframe

## Options



38010950

An adapter cart for easy storage and movement of 2 multi-purpose adapters is available.



A wide range of pick up adapters is available for various purposes.

Model	Special Vehicle Version (A)	Special Vehicle Version Extended (B)	Light Truck Version (C)
Article number	38000950	38000990	38000970
Suitable for columns	ST1064 ST1075 ST1085 ST1100	ST1064 ST1075 ST1085 ST1100 with extended base frame	ST1064 ST1075 ST1085 ST1100
Capacity per column*	up to 22,000 lbs	maximum of 14,500 lbs	maximum of 5,500 lbs
Weight	243 lbs	353 lbs	176 lbs

\* The use of specific adapters can potentially decrease the total lifting capacity



a member of the Stertil Group

Stertil-Koni U.S.A. Inc.  
200 Log Canoe Circle  
Stevensville, Maryland 21666  
Tel. 410-643-9001  
Toll free 800-336-6637  
Fax 410-643-8901  
lifts@stertil-koni.com