

CHAGNON

1-800-565-1723

[Home](#) > [Chagnon](#) > [Rear loaders](#) > > > [SPRINTER REAR AND CRANE LOADER](#)

SPRINTER REAR AND CRANE LOADER

DESCRIPTION

SPRINTER REAR AND CRANE LOADER

Ideal unit for the combination of rear loading and crane loading of semi-inground containers

TECH SHEET *

BODY	
Floor	3/16" (4,76 mm) 100 000 PSI (single piece, curved).
Side wall	1/8" (3,17 mm) 180 000 PSI (single piece).
Roof section	1/8" (3,17 mm) 180 000 PSI (single piece).
Horizontal side post	1/8" (3,17 mm) 44 000 PSI.
Ejector tack	1/4" (6.35mm) 44 000 PSI fully welded
TAILGATE	
Hopper floor	3/8" (9,53 mm) 180 000 PSI .
Walls	3/16" (4,76 mm) 100 000 PSI.
Carrier plate rail	1/4" (6,35 mm) 100 000 PSI, with replaceable wear UHMW shoes.
Removable cover	1/16" (1,587 mm) 14 gauge.
Side reinforcement	3/16" (4,76 mm) 44 000 PSI, fully welded with drain holes.
Tailgate "P" seal	84" Height.
Tailgate latch	Auto-locking system.
Hopper capacity	3 cubic yards.
SWEEP BLADE	
Cylinder bracket	1/2" (12,70 mm) 100 000 PSI.
Packing face	1/4" (6,35 mm) 100 000 PSI.
Hydraulic cylinder	5" (127 mm) bore with chrome rod.
Blade hinge bushing	2 1/2" (50,8 mm) aluminium bronze.
CARRIER PLATE	
Face plate	3/16" (4,76 mm) 100 000 PSI.
Cylinder bracket	1/2" (12,70 mm) 100 000 PSI.
Hydraulic cylinder	(2) 5" (127 mm) bore with chrome rod.
PUMP	

Installation type	P.T.O.
Pump type	Vane 38gpm @1,200rpm.
EJECTOR PANEL	
Front	3/16" (4,76 mm) 100 000 PSI.
Reinforcement	4" Channel (101,6mm) 44 000 PSI.
Wear pad	8 Replaceable UHMW (nylon)
Ejector track	1/4" (6.35mm) 100 000 PSI QT-100 fully welded.
Hydraulic cylinder	Telescopic - chrome rod
LIGHTS	
Compliance	FMWSS/CMVSS compliant.
Layout	2 Turn & stop lights above hopper - each side. 1 Turn & stop light bellow hopper - each side. 1 License plate light above hopper. 1 Turn signal mid body - each side.
PAINT	
Paint colour	Standard white. Sandblasted, epoxy primed with two (2) coats of acrylic enamel finish, high quality polyurethane.
HYDRAULIC	
Tank	Inside body - curb side - 50 gal.
Ejection/Tailgate control	Front of body - street side.
ACCESSORIES/STANDARD	
Buzzer	1 Push button curb side.
Hopper light	1 Light inside hopper.
Access door	1 Streetside.
Hopper control	1 Set curb side.
Reverse warning signal	Reverse signal activated - tailgate up.
Reflective tape	Each side of body and tailgate.
COMPACTION RATE	
Standard cyl. compaction rate 1000 lb. (454 kg) by cubic yard	

* Sizes and specifications are provided as indications. Actual specifications may vary.

OPTIONS

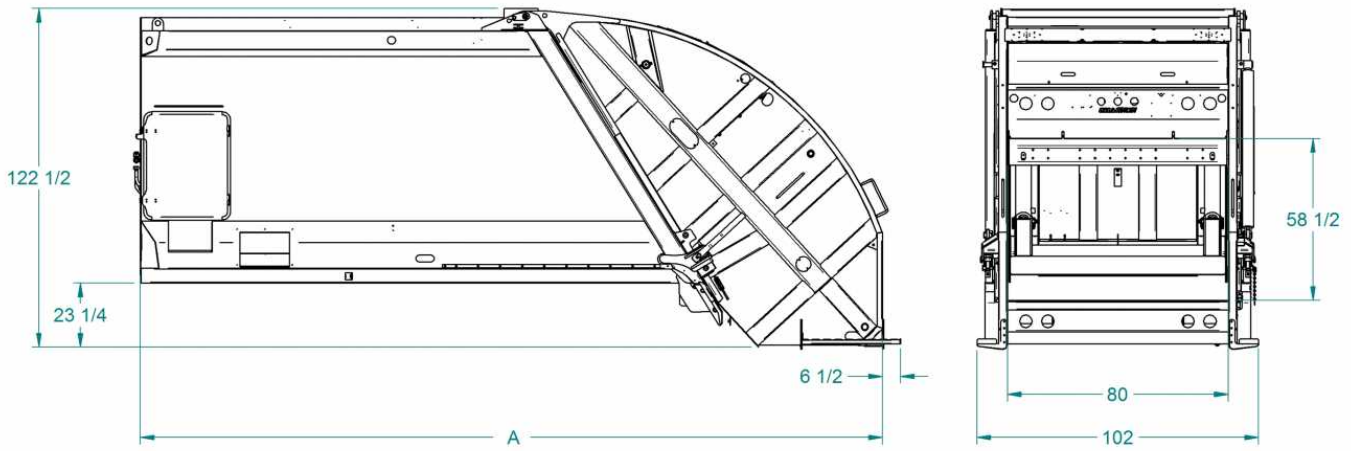
Toolbox

PHOTOS



DRAWINGS *

Rear crane loader



Dimensions	18 y3	20 y3	25 y3	29 y3	32 y3
Body length (A)	218"	247"	269"	286"	308"
Body height	99 1/4"				
Overall height	122 1/2"				
Hopper width (inside)	80"				
Overall width	102"				
Hopper opening height	58 1/2"				

* Sizes and specifications are provided as indications. Actual specifications may vary.